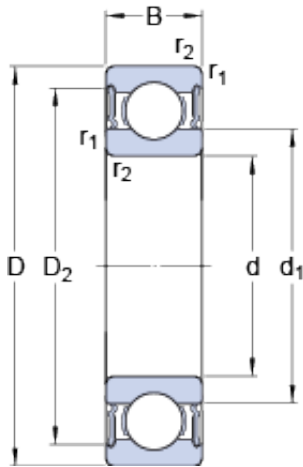




# BEARINGS(UK)LTD.



## 80 mm x 110 mm x 16 mm skf 61916-2RS1 Deep groove ball bearings

Bearing No. 61916-2RS1

61916-2RS1 Bearing 2D drawings and 3D CAD models

|   |                          |
|---|--------------------------|
| Size                                      | 110x80x16 mm             |
| Bore Diameter                             | 110 mm                   |
| Outer Diameter                            | 80 mm                    |
| Width                                     | 16 mm                    |
| d   | 80 mm                    |
| D   | 110 mm                   |
| B   | 16 mm                    |
| d <sub>1</sub>                            | 89.8 mm                  |
| D <sub>2</sub>                            | 102.2 mm                 |
| r <sub>1,2</sub> - min.                   | 1 mm                     |
| d <sub>a</sub> - min.                     | 84.6 mm                  |
| d <sub>a</sub> - max.                     | 89.7 mm                  |
| D <sub>a</sub> - max.                     | 105 mm                   |
| r <sub>a</sub> - max.                     | 1 mm                     |
| Basic dynamic load rating - C             | 25.1 kN                  |
| Basic static load rating - C <sub>0</sub> | 20.4 kN                  |
| Fatigue load limit - P <sub>u</sub>       | 1 kN                     |
| Limiting speed                            | 3400 r/min               |
| Calculation factor - k <sub>r</sub>       | 0.02                     |
| Calculation factor - f <sub>0</sub>       | 14                       |
| Category                                  | Single Row Ball Bearings |
| Inventory                                 | 0.0                      |
| Manufacturer Name                         | SKF                      |
| Minimum Buy Quantity                      | N/A                      |



## BEARINGS(UK)LTD.

|                                 |  |
|---------------------------------|--|
| Weight / Kilogram               | 0.417  |
| Product Group                   | B00308   |
| Enclosure                       | 2 Seals  |
| Precision Class                 | ABEC 1   ISO P0  |
| Maximum Capacity / Filling Slot | No   |
| Rolling Element                 | Ball Bearing   |
| Snap Ring                       | No   |
| Internal Special Features       | No   |
| Cage Material                   | Steel  |
| Enclosure Type                  | Contact Seal   |
| Internal Clearance              | C0-Medium  |
| Inch - Metric                   | Metric   |
| Long Description                | 80MM Bore; 110MM Outside Diameter; 16MM Outer Race Diameter; 2 Seals; Ball Bearing; ABEC 1   ISO P0; No Filling Slot; No Snap Ring; No Internal Special Features |
| Category                        | Single Row Ball Bearing  |
| UNSPSC                          | 31171504   |
| Harmonized Tariff Code          | 8482.10.50.68  |
| Noun                            | Bearing  |
| Keyword String                  | Ball   |
| Manufacturer URL                | <a href="http://www.skf.com">http://www.skf.com</a>  |
| Manufacturer Item Number        | 61916-2RS1   |
| Weight / LBS                    | 0.92   |
| Bore                            | 3.15 Inch   80 Millimeter  |
| Outside Diameter                | 4.331 Inch   110 Millimeter  |
| Outer Race Width                | 0.63 Inch   16 Millimeter  |
| bore diameter:                  | 80 mm  |
| static load capacity:           | 20.4 kN  |
| outside diameter:               | 110 mm   |
|                                 |  |



## BEARINGS(UK)LTD.

|                                |                          |
|--------------------------------|--------------------------|
| precision rating:              | Not Rated                |
| overall width:                 | 16 mm                    |
| finish/coating:                | Uncoated                 |
| bore type:                     | Round                    |
| cage material:                 | Steel                    |
| closure type:                  | Double Sealed            |
| outer ring width:              | 16 mm                    |
| row type & fill slot:          | Single Row Non-Fill Slot |
| fillet radius:                 | 1 mm                     |
| internal clearance:            | C0                       |
| maximum rpm:                   | 3400 RPM                 |
| operating temperature range:   | -40 to +210 ° F          |
| series:                        | 61                       |
| dynamic load capacity:         | 25.1 kN                  |
| $d_1$                          | 89.8 mm                  |
| $D_2$                          | 102.2 mm                 |
| $r_{1,2}$ min.                 | 1 mm                     |
| $d_a$ min.                     | 84.6 mm                  |
| $d_a$ max.                     | 89.7 mm                  |
| $D_a$ max.                     | 105 mm                   |
| $r_a$ max.                     | 1 mm                     |
| Basic dynamic load rating C    | 25.1 kN                  |
| Basic static load rating $C_0$ | 20.4 kN                  |
| Fatigue load limit $P_u$       | 1.02 kN                  |
| Calculation factor $k_r$       | 0.02                     |
| Calculation factor $f_0$       | 14                       |
| Mass bearing                   | 0.4 kg                   |