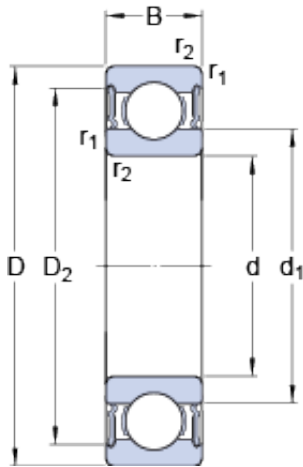




# BEARINGS(UK)LTD.



## 65 mm x 85 mm x 10 mm skf W 61813-2RS1 Deep groove ball bearings

Bearing No. W 61813-2RS1

W 61813-2RS1 Bearing 2D drawings and 3D CAD models

Size	85x65x10 mm
Bore Diameter	85 mm
Outer Diameter	65 mm
Width	10 mm
d	65 mm
D	85 mm
B	10 mm
d <sub>1</sub>	71.4 mm
D <sub>2</sub>	80.62 mm
r <sub>1,2</sub> - min.	0.6 mm
D <sub>a</sub> - max.	mm
r <sub>a</sub> - max.	0.6 mm
Basic dynamic load rating - C	10.4 kN
Basic static load rating - C <sub>0</sub>	12 kN
Fatigue load limit - P <sub>u</sub>	0.51 kN
Limiting speed	4500 r/min
Calculation factor - k <sub>r</sub>	0.02
d <sub>1</sub>	71.4 mm
D <sub>2</sub>	80.62 mm
r <sub>1,2</sub> min.	0.6 mm
D <sub>a</sub> max.	0 mm
r <sub>a</sub> max.	0.6 mm
Basic dynamic load rating C	10.4 kN
Basic static load rating C <sub>0</sub>	12 kN



## BEARINGS(UK)LTD.

Fatigue load limit $P_u$	0.51 kN
Calculation factor $k_r$	0.02
Calculation factor $f_0$	17