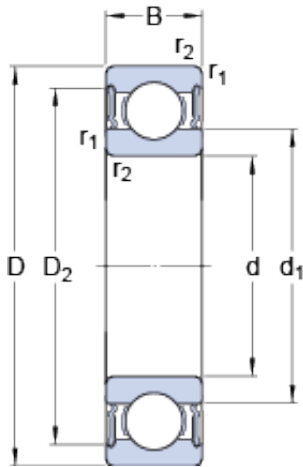




# BEARINGS(UK)LTD.



## 85 mm x 120 mm x 18 mm skf W 61917-2RS1 Deep groove ball bearings

Bearing No. W 61917-2RS1

W 61917-2RS1 Bearing 2D drawings and 3D CAD models

Size	120x85x18 mm
Bore Diameter	120 mm
Outer Diameter	85 mm
Width	18 mm
d	85 mm
D	120 mm
B	18 mm
d <sub>1</sub>	96.1 mm
D <sub>2</sub>	112.58 mm
r <sub>1,2</sub> - min.	1.1 mm
D <sub>a</sub> - max.	mm
r <sub>a</sub> - max.	1 mm
Basic dynamic load rating - C	27.6 kN
Basic static load rating - C <sub>0</sub>	29 kN
Fatigue load limit - P <sub>u</sub>	1.2 kN
Limiting speed	3200 r/min
Calculation factor - k <sub>r</sub>	0.025
d <sub>1</sub>	96.1 mm
D <sub>2</sub>	112.58 mm
r <sub>1,2</sub> min.	1.1 mm
D <sub>a</sub> max.	0 mm
r <sub>a</sub> max.	1 mm
Basic dynamic load rating C	27.6 kN
Basic static load rating C <sub>0</sub>	29 kN



## BEARINGS(UK)LTD.

Fatigue load limit $P_u$	1.25 kN
Calculation factor $k_r$	0.025
Calculation factor $f_0$	16.4