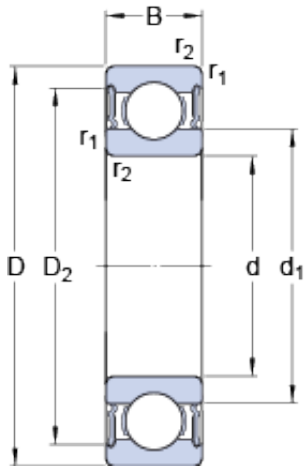




## BEARINGS(UK)LTD.



10 mm x 15 mm x 4 mm skf W 61700 X-2RS1  
Deep groove ball bearings

Bearing No. W 61700 X-2RS1

W 61700 X-2RS1 Bearing 2D drawings and 3D CAD models

Size	15x10x4 mm
Bore Diameter	15 mm
Outer Diameter	10 mm
Width	4 mm
d	10 mm
D	15 mm
B	4 mm
d <sub>1</sub>	11.21 mm
D <sub>2</sub>	14.2 mm
r <sub>1,2</sub> - min.	0.15 mm
d <sub>a</sub> - min.	11 mm
d <sub>a</sub> - max.	11 mm
D <sub>a</sub> - max.	14.5 mm
r <sub>a</sub> - max.	0.15 mm
Basic dynamic load rating - C	0.488 kN
Basic static load rating - C <sub>0</sub>	0.22 kN
Fatigue load limit - P <sub>u</sub>	0.009 kN
Limiting speed	24000 r/min
Calculation factor - k <sub>r</sub>	0.015
Calculation factor - f <sub>0</sub>	8
d <sub>1</sub>	11.21 mm
D <sub>2</sub>	14.2 mm
r <sub>1,2</sub> min.	0.15 mm
d <sub>a</sub> min.	11 mm



## BEARINGS(UK)LTD.

$d_a$ max.	11 mm
$D_a$ max.	14.5 mm
$r_a$ max.	0.15 mm
Basic dynamic load rating C	0.488 kN
Basic static load rating $C_0$	0.22 kN
Fatigue load limit $P_u$	0.009 kN
Calculation factor $k_r$	0.015
Calculation factor $f_0$	8
Mass bearing	0.0018 kg