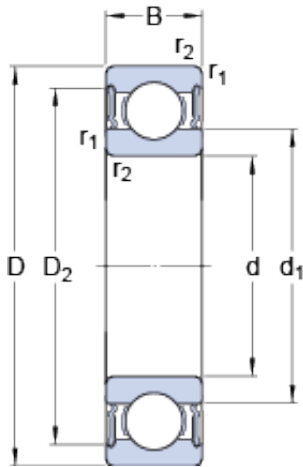




BEARINGS(UK)LTD.



17 mm x 40 mm x 12 mm skf W
6203-2RS1/VP311 Deep groove ball bearings

Bearing No. W 6203-2RS1/VP311

W 6203-2RS1/VP311 Bearing 2D drawings and 3D CAD models

Size	40x17x12 mm
Bore Diameter	40 mm
Outer Diameter	17 mm
Width	12 mm
d	17 mm
D	40 mm
B	12 mm
d ₁	24.9 mm
D ₂	35.8 mm
r _{1,2} - min.	0.6 mm
d _a - min.	21 mm
d _a - max.	24.5 mm
D _a - max.	37.5 mm
r _a - max.	0.6 mm
Basic dynamic load rating - C	8.1 kN
Basic static load rating - C ₀	4.8 kN
Fatigue load limit - P _u	0.2 kN
Limiting speed	12000 r/min
Calculation factor - k _r	0.03
Calculation factor - f ₀	13.1
d ₁	24.9 mm
D ₂	35.8 mm
r _{1,2} min.	0.6 mm
d _a min.	21 mm



BEARINGS(UK)LTD.

d_a max.	24.5 mm
D_a max.	37.5 mm
r_a max.	0.6 mm
Basic dynamic load rating C	8.06 kN
Basic static load rating C_0	4.75 kN
Fatigue load limit P_u	0.2 kN
Calculation factor k_r	0.03
Calculation factor f_0	13.1
Mass bearing	0.065 kg