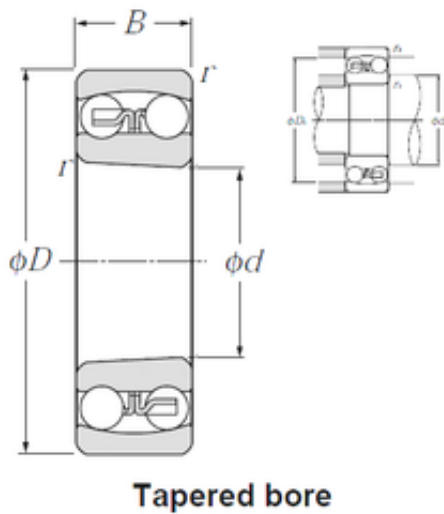




BEARINGS(UK)LTD.



85 mm x 180 mm x 60 mm NTN 2317SK Double row self aligning ball bearings

Bearing No. 2317SK

2317SK Bearing 2D drawings and 3D CAD models

Size	85x180x60 mm
Bore Diameter	85 mm
Outer Diameter	180 mm
Width	60 mm
d	85 mm
D	180 mm
B	60 mm
C	60 mm
r min.	3 mm
da min.	98 mm
Da max.	167 mm
ra max.	2,5 mm
Weight	6,56 Kg
Basic dynamic load rating (C)	142 kN
Basic static load rating (C0)	51,5 kN
(Grease) Lubrication Speed	3 000 r/min
(Oil) Lubrication Speed	3 800 r/min
Calculation factor (e)	0,37
Calculation factor (Y0)	1,8
Calculation factor (Y1)	1,7
rs min	3 mm
Associated sleeve reference	H2317X
e	0.37
Y1	1.7
Y2	2.6



BEARINGS(UK)LTD.

Y0	1.8
Radial clearance class	CN
Precision class	P0
Mass	6.56 kg
Dynamic load, C	142 kN
Static load, C0	51.5 kN
Nlim (oil)	3,800 rpm
Nlim (grease)	3,000 rpm
Min operating temperature, Tmin	-20 ° C
Max operating temperature, Tmax	120 ° C
da min	98 mm
da max	110 mm
db min	94 mm
Ce min	6 mm
Da max	167 mm
ra max	2.5 mm