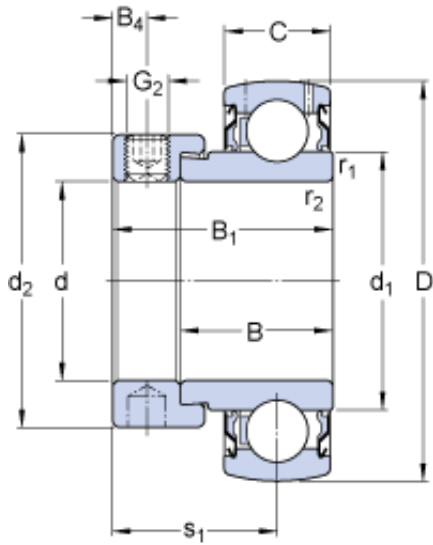




BEARINGS(UK)LTD.



YET 205/VL065 Bearing 2D drawings and 3D CAD models

25 mm x 52 mm x 21.5 mm skf YET 205/VL065
Insert bearings (Y-bearings)

Bearing No. YET 205/VL065

Size	52x25x31 mm
Bore Diameter	52 mm
Outer Diameter	25 mm
Width	31 mm
d	25 mm
D	52 mm
B_1	31 mm
C	15 mm
d_1	33.74 mm
d_2	37.4 mm
B	21.5 mm
B_4	4.75 mm
$r_{1,2}$ - min.	0.6 mm
s_1	23.5 mm
Basic dynamic load rating - C	14 kN
Basic static load rating - C_0	7.8 kN
Fatigue load limit - P_u	0.335 kN
Limiting speed with shaft tolerance h6	7000 r/min
Calculation factor - f_0	14
Mass bearing	0.18 kg
Thread - G_2	M6x0.75
Hexagonal key size for grub screw - H	3 mm



BEARINGS(UK)LTD.

Category	Bearings
Inventory	0.0
Manufacturer Name	SKF
Minimum Buy Quantity	N/A
Weight / Kilogram	0
Product Group	M06110
B ₁	31 mm
d ₁	33.74 mm
d ₂	37.4 mm
B ₄	4.75 mm
r _{1,2} min.	0.6 mm
s ₁	23.5 mm
Basic dynamic load rating C	14 kN
Basic static load rating C ₀	7.8 kN
Fatigue load limit P _u	0.335 kN
Limiting speed ¹⁾	7000 r/min
Calculation factor f ₀	14
Mass complete bearing	0.2 kg
Thread grub screw G ₂	M6x0.75
Hexagonal key size for grub screw N	3 mm
Recommended tightening torque for grub screw	4 N · m