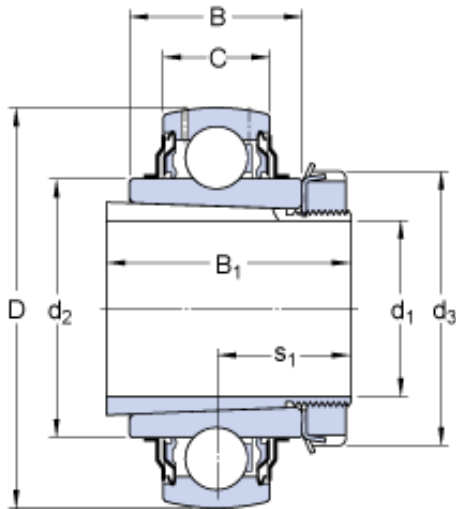




## BEARINGS(UK)LTD.

19.05 mm x 52 mm x 24 mm skf YSA 205-2FK + HE 2305 Insert bearings (Y-bearings)



Bearing No. YSA 205-2FK + HE 2305

YSA 205-2FK + HE 2305 Bearing 2D drawings and 3D CAD models

Size	52x19.05x35 mm
Bore Diameter	52 mm
Outer Diameter	19,05 mm
Width	35 mm
$d_1$	19.05 mm
D	52 mm
$B_1$	35 mm
B	24 mm
C	15 mm
$d_2$	33.74 mm
$d_3$	38 mm
$s_1$ - ?	20.5 mm
Basic dynamic load rating - C	14 kN
Basic static load rating - $C_0$	7.8 kN
Fatigue load limit - $P_u$	0.335 kN
Limiting speed	7000 r/min
Calculation factor - $f_0$	14
d	19.05 mm
$B_1$	35 mm
$d_1$	33.74 mm
$d_3$	38 mm
$s_1$	20.5 mm
Basic dynamic load rating C	14 kN
Basic static load rating $C_0$	7.8 kN



## BEARINGS(UK)LTD.

Fatigue load limit $P_u$	0.335 kN
Limiting speed <sup>1)</sup>	7000 r/min
Mass bearing + adapter sleeve	0.25 kg
Associated spanner	HN 5-6
Recommended lock nut tightening angle	90 °