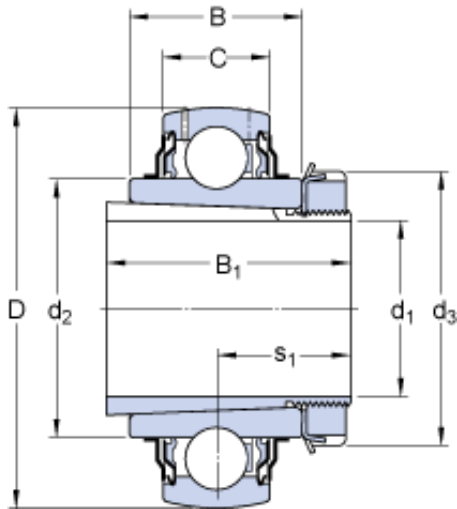




## BEARINGS(UK)LTD.



23.813 mm x 62 mm x 28 mm skf YSA 206-2FK  
+ HA 2306 Insert bearings (Y-bearings)

Bearing No. YSA 206-2FK + HA 2306

YSA 206-2FK + HA 2306 Bearing 2D drawings and 3D  
CAD models

Size	62x23.812x38 mm
Bore Diameter	62 mm
Outer Diameter	23,812 mm
Width	38 mm
$d_1$	23.812 mm
D	62 mm
$B_1$	38 mm
B	28 mm
C	18 mm
$d_2$	39.7 mm
$d_3$	45 mm
$s_1$ - ?	22.5 mm
Basic dynamic load rating - C	19.5 kN
Basic static load rating - $C_0$	11.2 kN
Fatigue load limit - $P_u$	0.475 kN
Limiting speed	6300 r/min
Calculation factor - $f_0$	14
d	23.813 mm
$B_1$	38 mm
$d_1$	39.7 mm
$d_3$	45 mm
$s_1$	22.5 mm
Basic dynamic load rating C	19.5 kN
Basic static load rating $C_0$	11.2 kN



## BEARINGS(UK)LTD.

Fatigue load limit $P_u$	0.475 kN
Limiting speed <sup>1)</sup>	6300 r/min
Calculation factor $f_0$	14
Mass bearing + adapter sleeve	0.39 kg
Associated spanner	HN 5-6
Recommended lock nut tightening angle	95 °