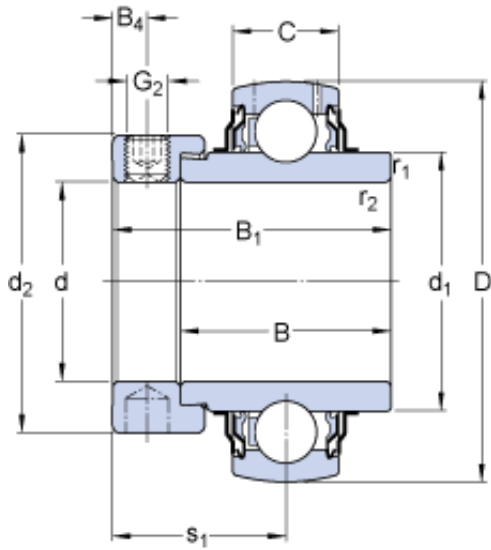




## BEARINGS(UK)LTD.



50.8 mm x 100 mm x 55.6 mm skf YEL  
211-200-2F Insert bearings (Y-bearings)

Bearing No. YEL 211-200-2F

Size	100x50.8x71.4 mm
Bore Diameter	100 mm
Outer Diameter	50,8 mm
Width	71,4 mm
d	50.8 mm
D	100 mm
B <sub>1</sub>	71.4 mm
C	25 mm
d <sub>1</sub>	69.06 mm
d <sub>2</sub>	74.5 mm
B	55.6 mm
B <sub>4</sub>	7.9 mm
r <sub>1,2</sub> - min.	1 mm
s <sub>1</sub>	43.6 mm
Basic dynamic load rating - C	43.6 kN
Basic static load rating - C <sub>0</sub>	29 kN
Fatigue load limit - P <sub>u</sub>	1.2 kN
Limiting speed with shaft tolerance h6	3600 r/min
Calculation factor - f <sub>0</sub>	14
Mass bearing	1.5 kg
Thread - G <sub>2</sub> - 7/16-20 UNF	7/1620 UNF
Hexagonal key size for grub screw - H	5.556 mm

YEL 211-200-2F Bearing 2D drawings and 3D CAD models



## BEARINGS(UK)LTD.

Category	Insert Bearings Spherical OD
Inventory	0.0
Manufacturer Name	SKF
Minimum Buy Quantity	N/A
Weight / Kilogram	1.507
Product Group	M06110
Inner Race Profile	Wide Inner Ring
Outer Race Profile	Spherical
Relubricatable	Yes
Seal Type	M Seal
Mounting Method	Eccentric Collar
Rolling Element	Ball Bearing
Snap Ring	No
Long Description	2" Bore; Wide Inner Ring; Ball Bearing; 2.811" Length Thru Bore; 63/64" Outer Race Width; 3.937" Outside Diameter; Relubricatable; M Seal Seal; Eccentric Collar Mounting Method
Inch - Metric	Inch
Other Features	Single Row   Standard Duty   With Set Screw   Has Flinger
Category	Insert Bearings
UNSPSC	31171536
Harmonized Tariff Code	8482.10.50.00
Noun	Bearing
Keyword String	Insert
Manufacturer URL	<a href="http://www.skf.com">http://www.skf.com</a>
Manufacturer Item Number	YEL 211-200-2F
Weight / LBS	3.09
Length Thru Bore	2.811 Inch   71.399 Millimeter



## BEARINGS(UK)LTD.

Outer Race Width	0.984 Inch   24.994 Millimeter
Bore	2 Inch   50.8 Millimeter
Outside Diameter	3.937 Inch   100 Millimeter
bore diameter:	2.0000 in
radial dynamic load capacity:	43.6 kN
outside diameter:	3.9370 in
radial static load capacity:	29 kN
outer ring width:	25 mm
bearing material:	Stainless Steel
inner ring width:	71.4 mm
finish/coating:	Zinc Plated
bore type:	Round
maximum rpm:	3600 RPM
locking device:	Eccentric Collar
seal type:	Contact with Flinger
operating temperature range:	-40 to +210 ° F
series:	YEL2
$B_1$	71.4 mm
$d_1$	69.06 mm
$d_2$	74.5 mm
$B_4$	7.9 mm
$r_{1,2}$ min.	1 mm
$s_1$	43.6 mm
Basic dynamic load rating C	43.6 kN
Basic static load rating $C_0$	29 kN
Fatigue load limit $P_u$	1.25 kN
Limiting speed <sup>1)</sup>	3600 r/min
Calculation factor $f_0$	14
Mass complete bearing	1.5 kg
Thread grub screw $G_2$	7/16-20 UNF



## BEARINGS(UK)LTD.

Hexagonal key size for grub screw N	5.556 mm
Recommended tightening torque for grub screw	28.5 N · m