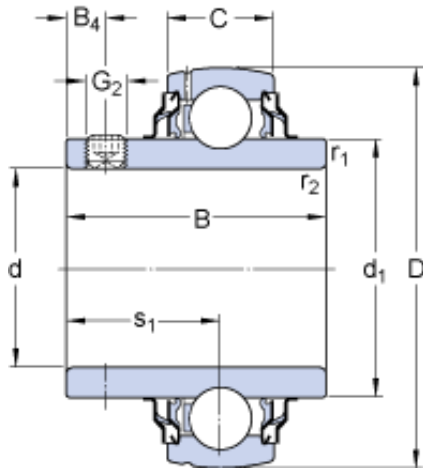




## BEARINGS(UK)LTD.



36.512 mm x 72 mm x 42.9 mm skf YAR  
207-107-2RFGR/HV Insert bearings (Y-bearings)

Bearing No. YAR 207-107-2RFGR/HV

Size	72x36.512x42.9 mm
Bore Diameter	72 mm
Outer Diameter	36,512 mm
Width	42,9 mm
d	36.512 mm
D	72 mm
B	42.9 mm
C	19 mm
d <sub>1</sub>	46.1 mm
B <sub>4</sub>	6 mm
r <sub>1,2</sub> - min.	1 mm
s <sub>1</sub>	25.4 mm
Basic dynamic load rating - C	21.6 kN
Basic static load rating - C <sub>0</sub>	15.3 kN
Fatigue load limit - P <sub>u</sub>	0.655 kN
Limiting speed with shaft tolerance h6	3200 r/min
Calculation factor - f <sub>0</sub>	14
Mass bearing	0.43 kg
Thread - G <sub>2</sub> - 5/16-24 UNF	5/1624 UNF
Hexagonal key size for grub screw - H	3.969 mm
d <sub>1</sub>	46.1 mm
B <sub>4</sub>	6 mm

YAR 207-107-2RFGR/HV Bearing 2D drawings and 3D CAD models



## BEARINGS(UK)LTD.

$r_{1,2}$ min.	1 mm
$s_1$	25.4 mm
Basic dynamic load rating C	21.6 kN
Basic static load rating $C_0$	15.3 kN
Fatigue load limit $P_u$	0.655 kN
Limiting speed <sup>1)</sup>	3200 r/min
Calculation factor $f_0$	14
Mass complete bearing	0.42 kg
Thread grub screw $G_2$	5/16-24 UNF
Hexagonal key size for grub screw N	3.969 mm
Recommended tightening torque for grub screw	6.5 N · m