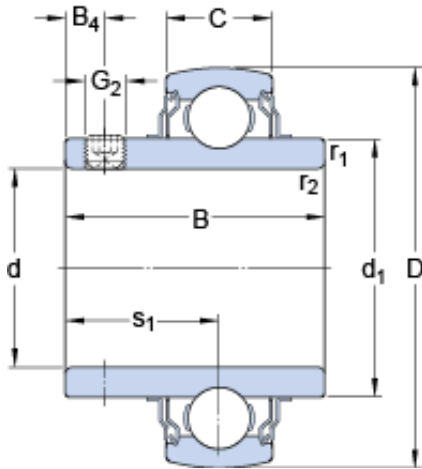




## BEARINGS(UK)LTD.



60 mm x 110 mm x 65.1 mm skf YAR  
212-2FW/VA201 Insert bearings with grub screws  
for high temperature applications

Bearing No. YAR 212-2FW/VA201

YAR 212-2FW/VA201 Bearing 2D drawings and 3D  
CAD models

Size	110x60x65.1 mm
Bore Diameter	110 mm
Outer Diameter	60 mm
Width	65,1 mm
d	60 mm
D	110 mm
B	65.1 mm
C	26 mm
d <sub>1</sub>	75.64 mm
B <sub>4</sub>	10 mm
s <sub>1</sub>	39.7 mm
r <sub>1,2</sub> - min.	1.5 mm
Basic dynamic load rating - C	52.7 kN
Basic static load rating - C <sub>0</sub>	36 kN
Limiting speed	50 r/min
Limiting temperature - T	250 ° C
Mass bearing	1.35 kg
Grub (set) screw - G <sub>2</sub>	M10x1
Hexagonal key size for grub screw - H	5 mm
Category	Bearings
Inventory	0.0
Manufacturer Name	SKF



## BEARINGS(UK)LTD.

Minimum Buy Quantity	N/A
Weight / Kilogram	0
Product Group	M06110
$d_1$	75.64 mm
$B_4$	10 mm
$s_1$	39.7 mm
$r_{1,2}$ min.	1.5 mm
Basic dynamic load rating C	52.7 kN
Basic static load rating $C_0$	36 kN
Limiting temperature T max.	250 ° C
Grub (set) screw $G_2$	M10x1
Hexagonal key size for grub screw N	5 mm
Recommended tightening torque for grub screw	16.5 N · m