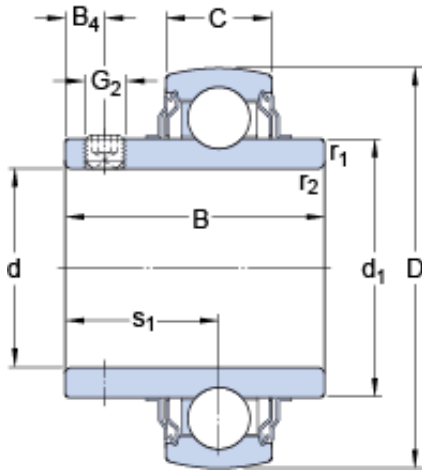




## BEARINGS(UK)LTD.



50.8 mm x 100 mm x 55.6 mm skf YAR  
211-200-2FW/VA228 Insert bearings with grub  
screws for high temperature applications

Bearing No. YAR 211-200-2FW/VA228

YAR 211-200-2FW/VA228 Bearing 2D drawings and 3D  
CAD models

Size	100x50.8x55.6 mm
Bore Diameter	100 mm
Outer Diameter	50,8 mm
Width	55,6 mm
d	50.8 mm
D	100 mm
B	55.6 mm
C	25 mm
d <sub>1</sub>	69.06 mm
B <sub>4</sub>	9 mm
s <sub>1</sub>	33.4 mm
r <sub>1,2</sub> - min.	1 mm
Basic dynamic load rating - C	43.6 kN
Basic static load rating - C <sub>0</sub>	29 kN
Limiting speed	110 r/min
Limiting temperature - T	350 ° C
Mass bearing	1.1 kg
Grub (set) screw - G <sub>2</sub> - 3/8-24 UNF	3/824 UNF
Hexagonal key size for grub screw - H	4.762 mm
Category	Insert Bearings Spherical OD
Inventory	0.0



## BEARINGS(UK)LTD.

Manufacturer Name	SKF
Minimum Buy Quantity	N/A
Weight / Kilogram	1.202
Product Group	M06110
Inner Race Profile	Wide Inner Ring
Outer Race Profile	Spherical
Relubricatable	No
Seal Type	M Seal
Mounting Method	Set Screw
Rolling Element	Ball Bearing
Snap Ring	No
Long Description	2" Bore; Wide Inner Ring; Ball Bearing; 2.189" Length Thru Bore; 63/64" Outer Race Width; 3.937" Outside Diameter; Not Relubricatable; M Seal Seal; Set Screw Mounting Method
Inch - Metric	Inch
Other Features	Single Row   Medium Duty   Hi-Temp Bearing With Graphite Technology   Grub Screw   Has Flinger
Category	Insert Bearings
UNSPSC	31171536
Harmonized Tariff Code	8482.10.50.00
Noun	Bearing
Keyword String	Insert
Manufacturer URL	<a href="http://www.skf.com">http://www.skf.com</a>
Manufacturer Item Number	YAR 211-200-2FW/VA228
Weight / LBS	2.07
Length Thru Bore	2.189 Inch   55.601 Millimeter
Outer Race Width	0.984 Inch   24.994 Millimeter



## BEARINGS(UK)LTD.

Outside Diameter	3.937 Inch   100 Millimeter
Bore	2 Inch   50.8 Millimeter
bore diameter:	2.0000 in
radial static load capacity:	29 kN
outside diameter:	3.9370 in
bearing material:	Stainless Steel
outer ring width:	25 mm
finish/coating:	Zinc Plated
inner ring width:	55.6 mm
maximum rpm:	110 RPM
bore type:	Round
seal type:	Contact with Flinger
locking device:	Set Screw
series:	YAR2
operating temperature range:	-240 to +660 ° F
$d_1$	69.06 mm
$B_4$	9 mm
$s_1$	33.4 mm
$r_{1,2}$ min.	1 mm
Basic dynamic load rating C	43.6 kN
Basic static load rating $C_0$	29 kN
Limiting temperature T max.	350 ° C
Grub (set) screw $G_2$	3/8-24 UNF
Hexagonal key size for grub screw N	4.763 mm
Recommended tightening torque for grub screw	16.5 N · m