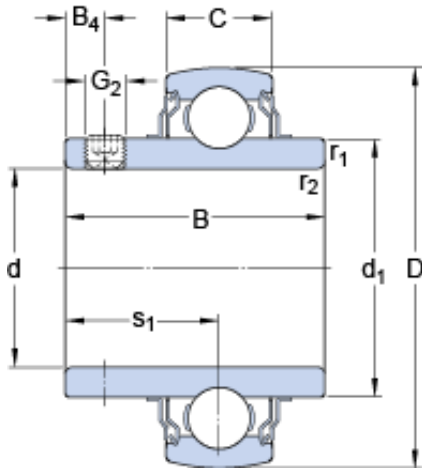




## BEARINGS(UK)LTD.



38.1 mm x 80 mm x 49.2 mm skf YAR  
208-108-2FW/VA201 Insert bearings with grub  
screws for high temperature applications

Bearing No. YAR 208-108-2FW/VA201

Size	80x38.1x49.2 mm
Bore Diameter	80 mm
Outer Diameter	38,1 mm
Width	49,2 mm
d	38.1 mm
D	80 mm
B	49.2 mm
C	21 mm
d <sub>1</sub>	51.8 mm
B <sub>4</sub>	8 mm
s <sub>1</sub>	30.2 mm
r <sub>1,2</sub> - min.	1 mm
Basic dynamic load rating - C	30.7 kN
Basic static load rating - C <sub>0</sub>	19 kN
Limiting speed	70 r/min
Limiting temperature - T	250 ° C
Mass bearing	0.59 kg
Grub (set) screw - G <sub>2</sub> - 5/16-24 UNF	5/1624 UNF
Hexagonal key size for grub screw - H	3.969 mm
d <sub>1</sub>	51.8 mm
B <sub>4</sub>	8 mm
s <sub>1</sub>	30.2 mm

YAR 208-108-2FW/VA201 Bearing 2D drawings and 3D CAD models



## BEARINGS(UK)LTD.

$r_{1,2}$ min.	1 mm
Basic dynamic load rating C	30.7 kN
Basic static load rating $C_0$	19 kN
Limiting temperature T max.	250 ° C
Grub (set) screw $G_2$	5/16-24 UNF
Hexagonal key size for grub screw N	3.969 mm
Recommended tightening torque for grub screw	6.5 N · m